

室外全方位电动云台系统连接

OUTDOOR PAN/TILT DRIVE UNIT SYSTEM CONNECT

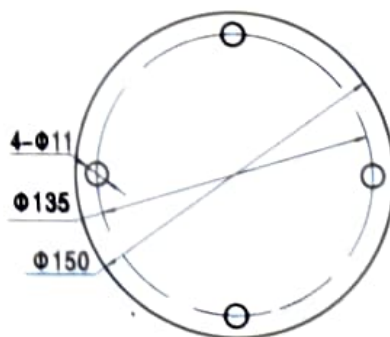
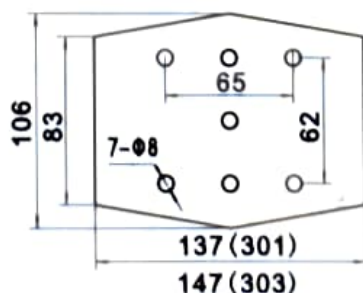
Linker



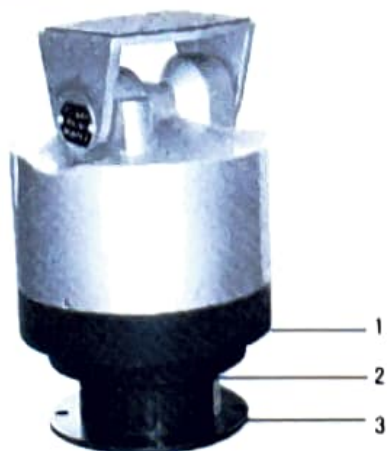
1 2 3 4 5 6

- | | |
|----|-------|
| 1 | AUTO |
| 2. | LEFT |
| 3. | RIGHT |
| 4 | UP |
| 5 | DOWN |
| 6. | COM |

Install Sketch Map



Function Sketch Map



- | | |
|----|-------------|
| 1 | Limit stop |
| 2. | Contro plug |
| 3. | Monitor |

